



gala

ELECTRONICS





Functionality and features	-----	2
Specifications	-----	3
Descriptions	-----	3
Installation	-----	4
Functioning	-----	9
Maintenance	-----	11
Warnings	-----	12
Problem solving	-----	13



FUNCTIONALITY AND FEATURES

SELF-FLUSH

Automatic flush through infrared detection.

WATER SAVING

One or two intelligent flushes will be carried out depending on the time of use. If the use is between 1 and 10 seconds, the flow rate volume will be between 1,5 and 3 litres. If the use is longer than 10 seconds, the flow rate will be between 2 and 4 litres. (note: water pressure should be between 3 and 6 bars).

CLEANING

When detection zone is cleared, an automatic flush is made. An efficient cleaning prevents possible bacterial infections.

If no use is detected in 24 hours, an automatic flush will be carried out to prevent dirt and bad smell.

BUILT-IN INSTALLATION

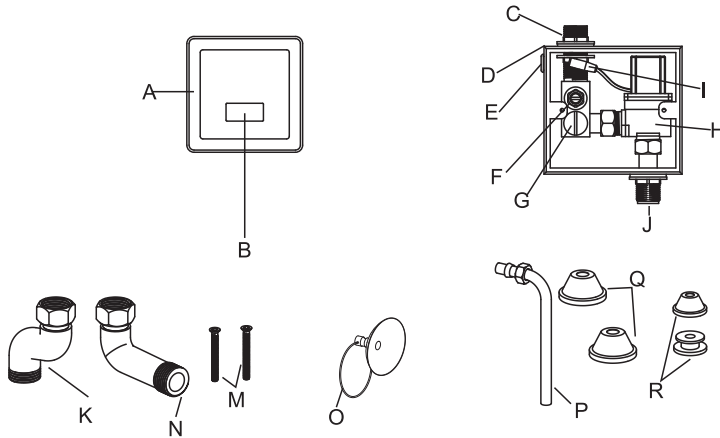
For built-in installation the wall must be, at least, 10 cm thick.

3



SPECIFICATIONS

Specification		Comments
Voltage	AC - 220V	
Energetic consumption (stand-by)	< 0.5mw	
Detection zone	40 - 70 cm	
Water pressure	0.5 ~ 6 Bar	
Water inlet	G1/2"	



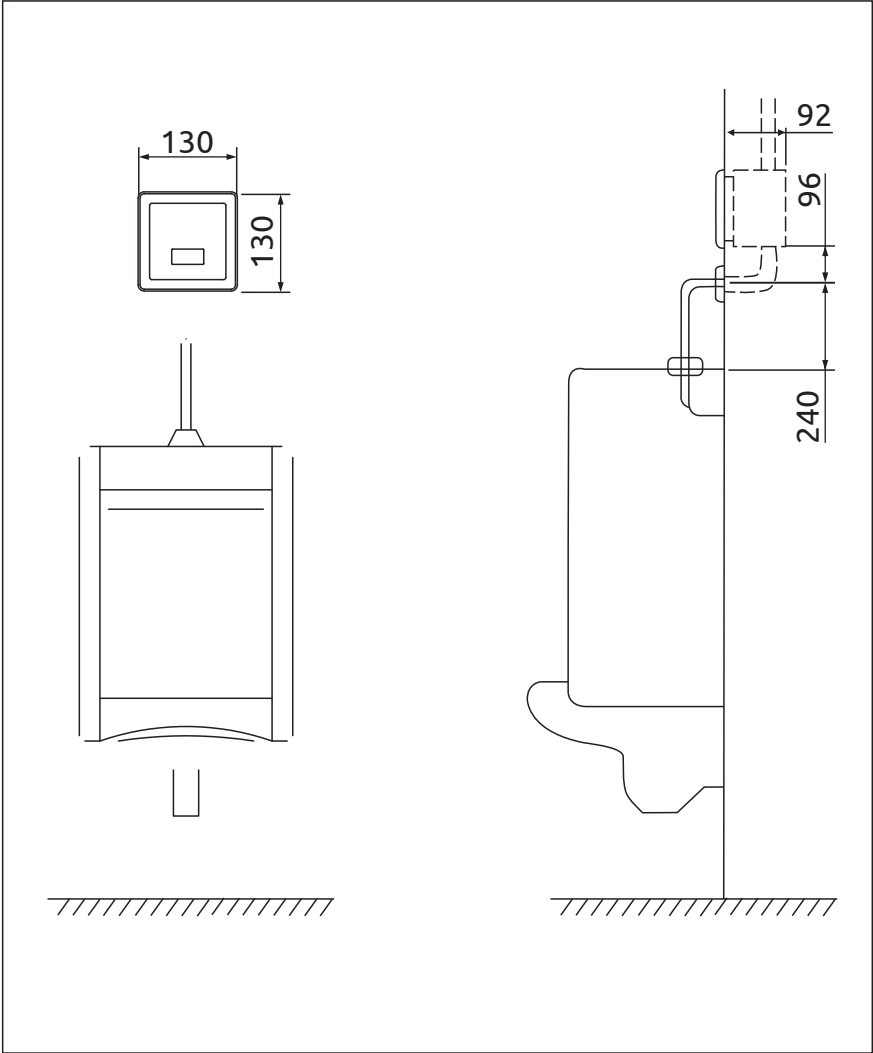
A- Plate
 B- Sensor window
 C- Water inlet 1/2"
 D- Built-in box
 E- Installation hole
 F- Water control valve
 G- Regulator cover
 H- Valve
 I- Signal

J- Outlet 1/2"
 K- Outlet S
 N- Outlet
 M- Screws
 O- Suction pad
 P- Pipe
 Q- Decorative cover
 R- Decorative rubber

4



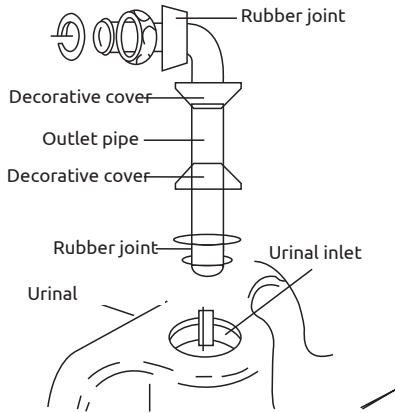
INSTALLATION



5

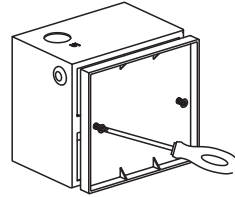


INSTALLATION

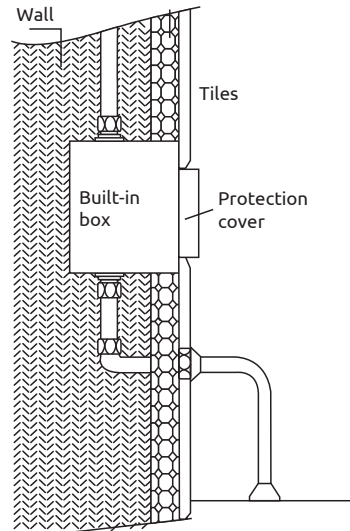


Put the decorative cover first and the rubber joint in the pipe. After that, connect the rubber and the pipe to the urinal inlet.

After ensuring that the installation is correct (no water is leaking), install the main frame on top of the tiles.



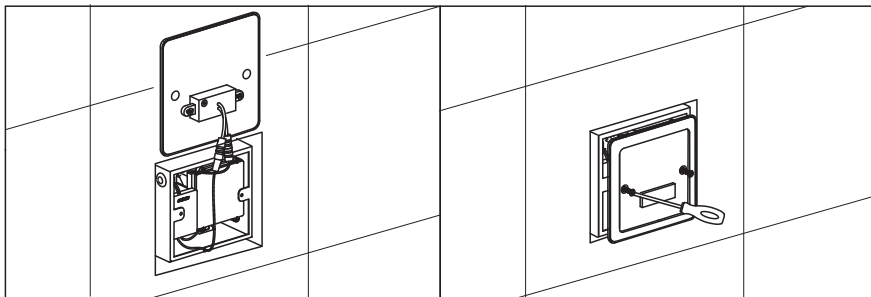
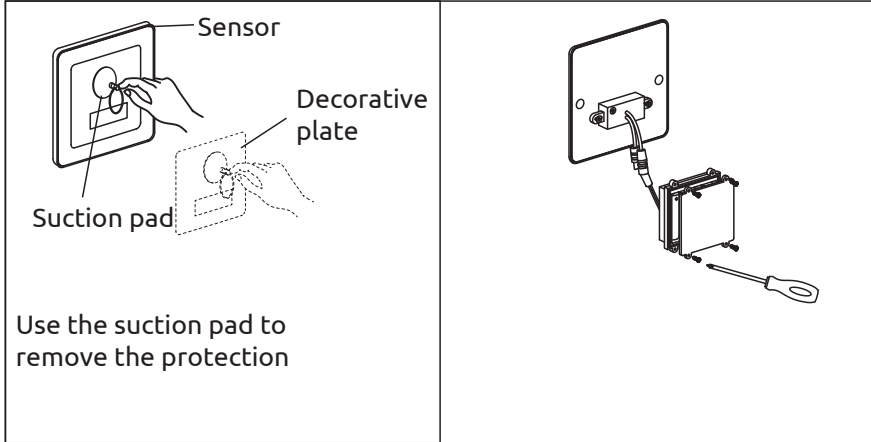
Remove the protection cover of the built-in box and keep the screws. These screws will be used to install the main frame.



6



INSTALLATION

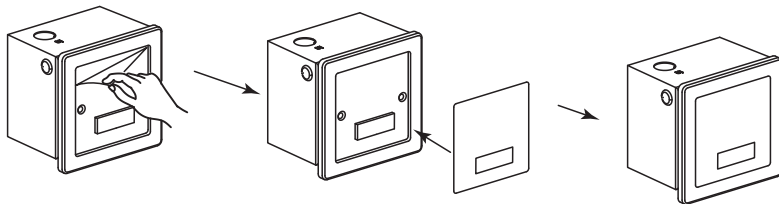


Place the connector of the solenoid valve in the built-in box and insert the control connector in the sensor outlet.

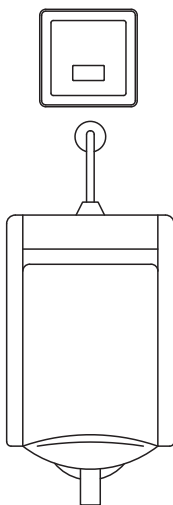
Install the main frame with the M4 screws.



INSTALLATION



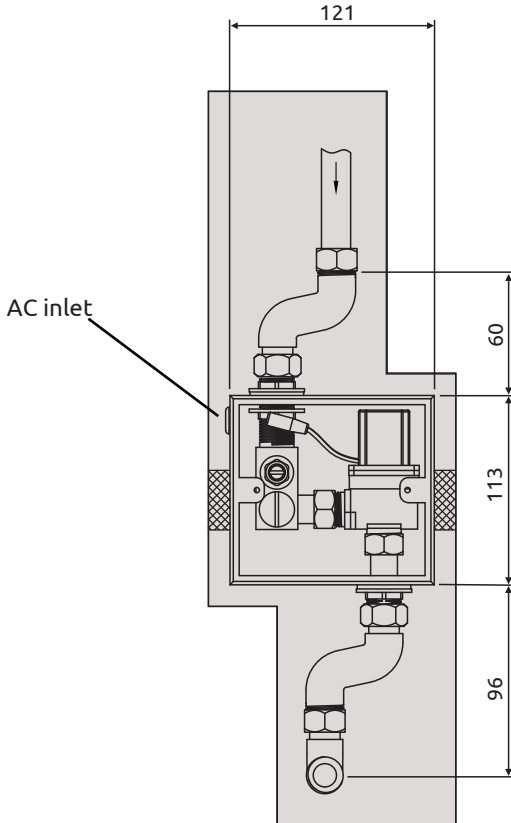
Remove the protection film of the two sided-sticker and then stick the decorative plate to it.



8



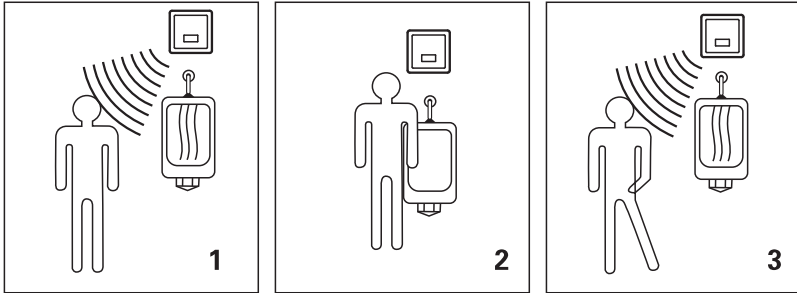
INSTALLATION



Note: Check that water is not leaking in the water circuit and, after that, connect the electric installation.

9

FUNCTIONING



The red light will flicker every 3 seconds when the sensor detects presence. First there is a 2 seconds flush, and when the detection zone is cleared another 6 seconds flush will take place.

FLUSH MODES

1. Detection ensuring time is 3 seconds.

2. Standard function: when a presence is detected for 3 seconds the fluxor makes a 2 seconds flush. When the detection zone is cleared, flush will be:

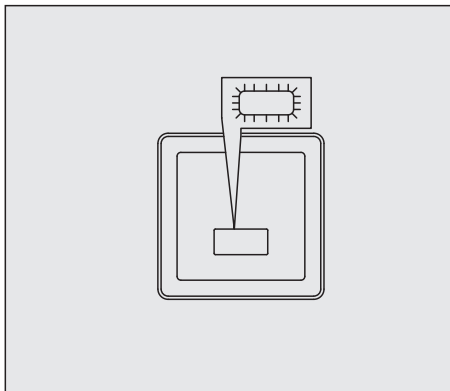
A: 4 seconds if there are more users in the detection zone.

B: 6 seconds if the area is empty.

3. If the fluxor is not used for less than 1 minute, it will only make 1 final flush and the duration of it will be determined by the time of use (see points A and B).



FUNCTIONING

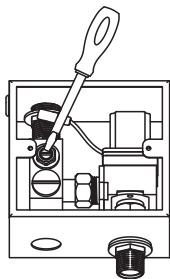


DETECTION AND SWITCH OFF INSTRUCTIONS:

1. Light will flicker one time 3 seconds after the detection.



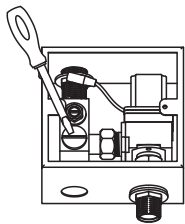
MAINTENANCE



When flow rate is low it could be adjusted by turning the control valve with a screwdriver. Right turn will reduce flow rate and left turn will increase it.

1.If a flow rate loss is detected it is recommended to clean the regulator's filter.

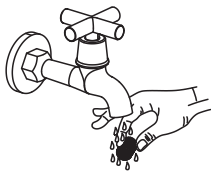
2.Close the water valve before opening the regulator's cover.



1: remove regulator's cover



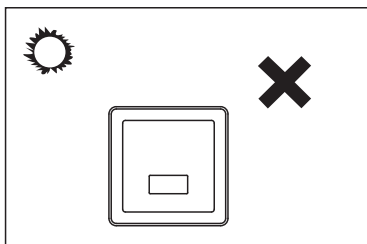
2: remove regulator's net



3: clean the regulator's filter



WARNINGS



INSTALLATION NOTES:

- To prevent malfunctions do not place reflecting objects in front of the sensor (such as inox plates or devices with electric light sensors).
- Installing the fluxor under a strong light could also cause detection troubles.



PROBLEM SOLVING

Problem	Possible causes	Solution
Do not flush	There is no water in the network	Wait for the water service
	Dirty filter	Clean the filter
	There is dirt in the sensor's display	Clean the display
	Out of range water pressure	Correct the installation
Do not stop	Out of range water pressure	Correct the installation
Water leakage	Low water pressure	Correct the installation
	Dirty filter	Clean the filter
Low flow rate	Low flow rate	Adjust water valve
	Dirty filter	Clean the filter
	Low water pressure	Correct the installation
High flow rate	High flow rate	Adjust water valve

14



